

RMO® Aesthetic Brackets

RMO®'s self-ligating brackets are designed to move teeth most efficiently with fewer adjustments, giving doctors and patients the most reliable and predictable results. Low-friction brackets give patient comfortability, while keeping treatment control in mind for the most precise finish. With RMO®'s passive and active options, there's something for every office to keep the individual patient in mind:

Ascend SL®, RMO®'s **passive self-ligating** aesthetic brackets, are the solution to low-friction technology that deliver trusted results and treatment efficiency attained by easy door activation and optimal sliding mechanics for effortless wire changes

Alpine SL® Clear, RMO®'s **active self-ligating** aesthetic brackets, deliver stellar control and performance. Optimal rotational control is easily achieved with the full slot clip coverage while easy operation allows for faster adjustments.



Ascend SL®
page 124



Alpine SL® Clear
page 127



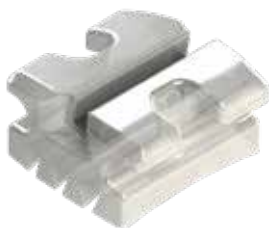
FLI® Clear
page 130



Signature III
page 134



FLI® Composite
page 140



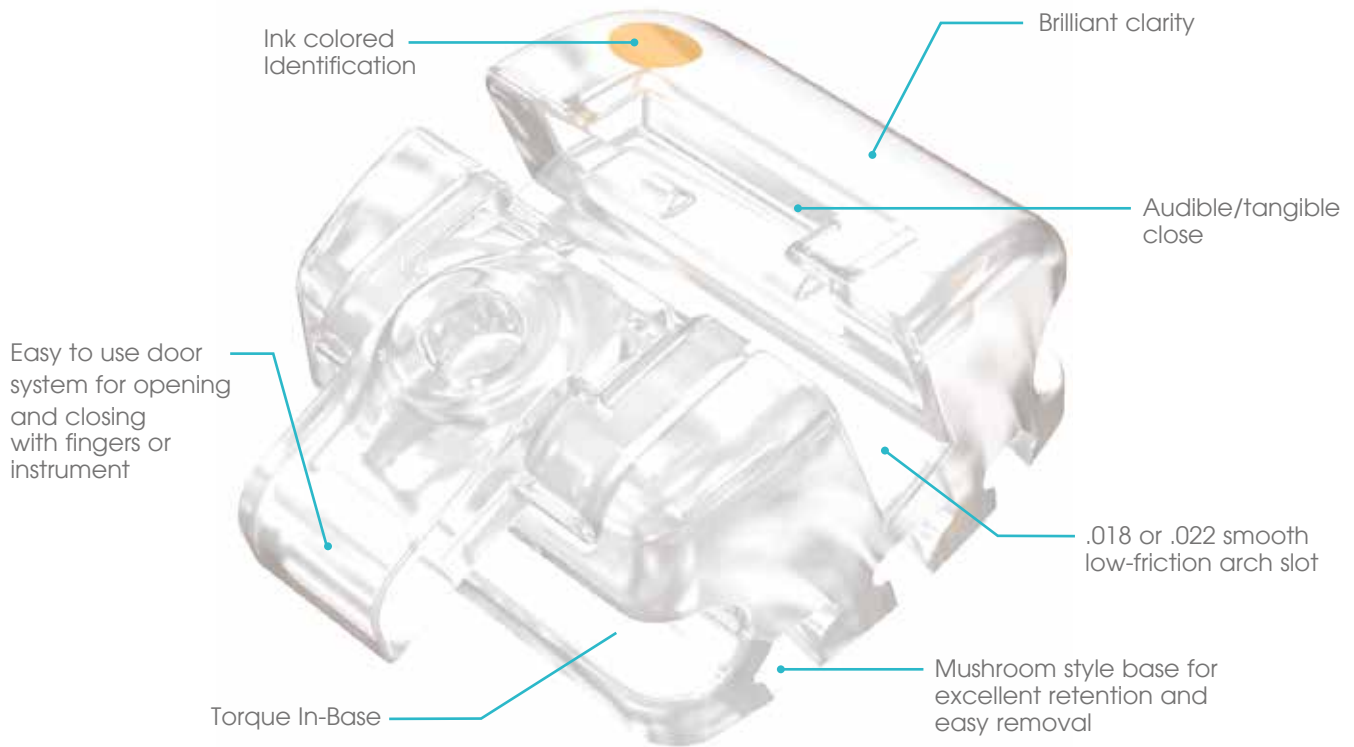
FLI® Composite Silver & Ceramic Silver
page 144



Esthetys Classic
page 148

Ascend SL® Brackets

Ascend SL® offers a true balance of strength and durability to deliver brilliant full aesthetics. Fast and efficient treatment is achieved through ultra-low friction and optimal sliding mechanics. Opening and closing is also effortless in supporting quick wire changes.



MATERIAL: Composite Dominant Hybrid - 97% Polyurethane (composite) 3% Alumina Oxide (ceramic)

PRESCRIPTIONS: Roth & MBT

SLOT SIZE: .018 (smaller door) & .022 (larger door)

FEATURES

Fully Transparent
Smooth, Fully Polished Surfaces
Stain Resistant
Hybrid Composite Formula

Smooth Rounded Slot Lead-in
.025" Arch Slot

Gingivally Closing Door
Precision Door and Notch
Click' Mechanism

BENEFITS

Unmatched aesthetics and natural appearance

Exceptional patient comfort

Natural aesthetics maintained throughout treatment

High fracture strength and hardness

Provides smooth, low friction slot

Easy wire placement and insertion for quicker wire changes

Active on .025" wires without binding

Maximized torque

Door stays shut while chewing

Effortless and reliable opening/closing with tweezers or finger

Audible door close

Roth Prescription - Maxillary Brackets

Tooth	Torque	Angulation	Offset	Hook	R/L	.018	.022
Central	12°	5°	0°		R	Q05400	Q05500
	12°	5°	0°		L	Q05401	Q05501
Lateral	8°	9°	0°		R	Q05402	Q05502
	8°	9°	0°		L	Q05403	Q05503
Cuspid	-2°	8°	4 MO°		R	Q05404	Q05504
	-2°	8°	4 MO°		L	Q05405	Q05505
	-2°	8°	4 MO°	Distal	R	Q05406	Q05506
	-2°	8°	4 MO°	Distal	L	Q05407	Q05507
1st/2nd	-7°	0°	0°		R	Q05408	Q05508
Bicuspid	-7°	0°	0°		L	Q05409	Q05509
	-7°	0°	0°	Distal	R	Q05410	Q05510
	-7°	0°	0°	Distal	L	Q05411	Q05511



Roth Prescription - Mandibular Brackets

Tooth	Torque	Angulation	Offset	Hook	R/L	.018	.022
Central/ Lateral	0°	0°	0°		R/L	Q05420	Q05520
Cuspid	-11°	5°	2 MO°		R	Q05424	Q05524
	-11°	5°	2 MO°		L	Q05425	Q05525
	-11°	5°	2 MO°	Distal	R	Q05426	Q05526
	-11°	5°	2 MO°	Distal	L	Q05427	Q05527
1st	-17°	0°	0°		R	Q05428	Q05528
Bicuspid	-17°	0°	0°		L	Q05429	Q05529
	-17°	0°	0°	Distal	R	Q05430	Q05530
	-17°	0°	0°	Distal	L	Q05431	Q05531
2nd	-22°	0°	0°		R	Q05432	Q05532
Bicuspid	-22°	0°	0°		L	Q05433	Q05533
	-22°	0°	0°	Distal	R	Q05434	Q05534
	-22°	0°	0°	Distal	L	Q05435	Q05535



Roth Preadjusted Straight Wire Prescription - Kits

Description	.018	.022
Roth Ascend SL® without hook U/L 5-5	KQ05400	KQ05500
Roth Ascend SL® with hook on cuspid U/L 5-5	KQ05401	KQ05501
Roth Ascend SL® with hook on cuspid/bicuspid U/L 5-5	KQ05402	KQ05502
Roth Ascend SL® with hook on cuspid U 3-3	KQ05403	KQ05503
Roth Ascend SL® without hook U/L 3-3	KQ05404	KQ05504
Roth Ascend SL® with hook cuspid U/L 3-3	KQ05405	KQ05505



MBT Prescription - Maxillary Brackets

Tooth	Torque	Angulation	Offset	Hook	R/L	.018	.022
Central	17°	5°	0°		R	Q05200	Q05300
	17°	5°	0°		L	Q05201	Q05301
Lateral	10°	8°	0°		R	Q05202	Q05302
	10°	8°	0°		L	Q05203	Q05303
Cuspid	0°	8°	4 MO°		R	Q05204	Q05304
	0°	8°	4 MO°		L	Q05205	Q05305
	0°	8°	4 MO°	Distal	R	Q05206	Q05306
	0°	8°	4 MO°	Distal	L	Q05207	Q05307
1st/2nd Bicuspid	-7°	0°	0°		R	Q05208	Q05308
	-7°	0°	0°		L	Q05209	Q05309
	-7°	0°	0°	Distal	R	Q05210	Q05310
	-7°	0°	0°	Distal	L	Q05211	Q05311

MBT Prescription - Mandibular Brackets



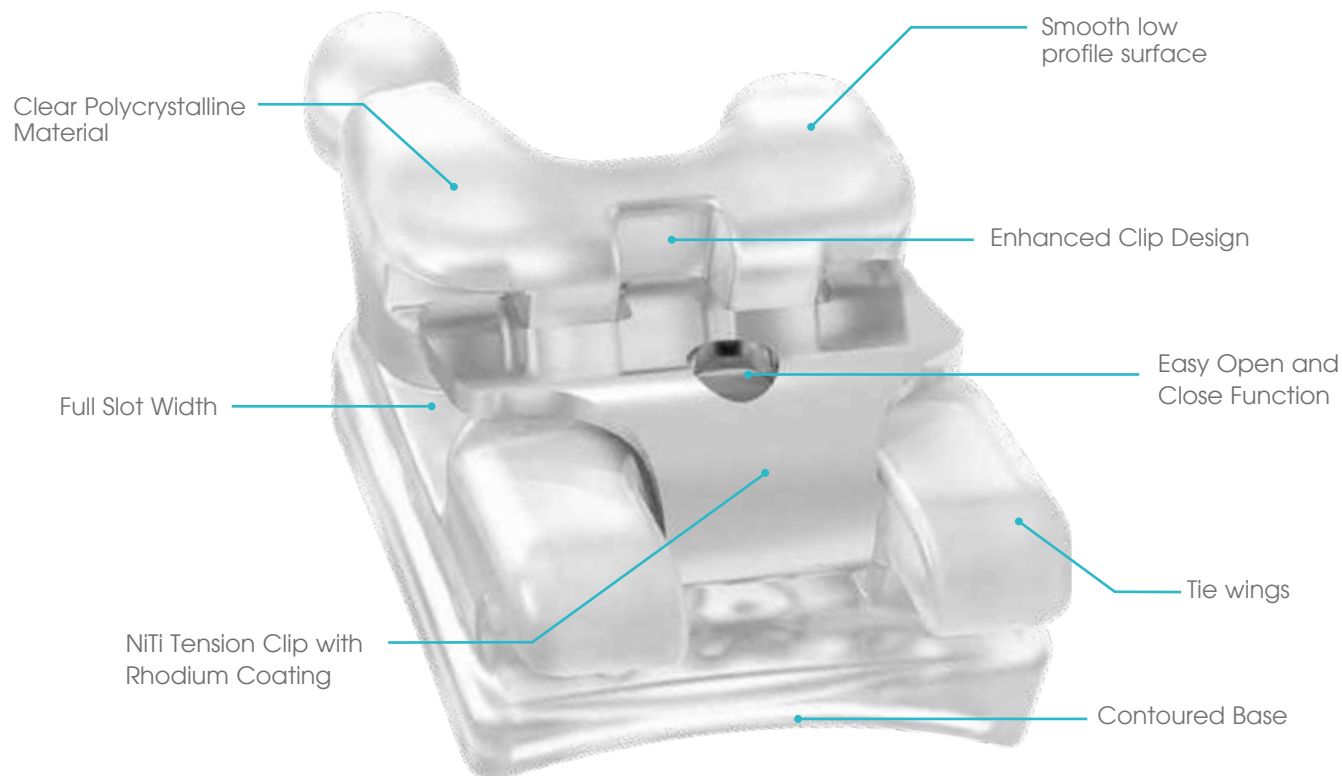
Tooth	Torque	Angulation	Offset	Hook	R/L	.018	.022
Central/ Lateral	-6°	0°	0°		R/L	Q05220	Q05320
Cuspid	0°	3°	2 MO°		R	Q05224	Q05324
	0°	3°	2 MO°		L	Q05225	Q05325
	0°	3°	2 MO°	Distal	R	Q05226	Q05326
	0°	3°	2 MO°	Distal	L	Q05227	Q05327
1st Bicuspid	-12°	2°	0°		R	Q05228	Q05328
	-12°	2°	0°		L	Q05229	Q05329
	-12°	2°	0°	Distal	R	Q05230	Q05330
	-12°	2°	0°	Distal	L	Q05231	Q05331
2nd Bicuspid	-17°	2°	0°		R	Q05232	Q05332
	-17°	2°	0°		L	Q05233	Q05333
	-17°	2°	0°	Distal	R	Q05234	Q05334
	-17°	2°	0°	Distal	L	Q05235	Q05335

MBT Prescription - Kits

Description	.018	.022
MBT Ascend SL® without hook U/L 5-5	KQ05200	KQ05300
MBT Ascend SL® with hook on cuspid U/L 5-5	KQ05201	KQ05301
MBT Ascend SL® with hook on cuspid/bicuspid U/L 5-5	KQ05202	KQ05302
MBT Ascend SL® with hook on cuspid U 3-3	KQ05203	KQ05303
MBT Ascend SL® without hook U/L 3-3	KQ05204	KQ05304
MBT Ascend SL® with hook cuspid U/L 3-3	KQ05205	KQ05305

Alpine SL® Clear Brackets

Alpine SL® Clear is the most advanced, transparent self-ligating system. The Nickel Titanium clip allows for easy open and close and requires no special tool to activate.



BRACKET MATERIAL: Polycrystalline Alumina Ceramic
CLIP MATERIAL: Nickel-Titanium, Rhodium Coated Finish
PRESCRIPTIONS: Roth, MBT
SLOT SIZE: .022
BASE: Mechanical – X Form

FEATURES	BENEFITS
NiTi Spring Clip	Shape memory alloy ensures reliable clip operation and control for entire treatment
Easy Open and Close Function	No special tool is required to open; Closes gingivally with slight pressure using figure on the incisal curve or using instrument
Full Slot Width	Clip offers full slot coverage allowing for optimal rotational control
Smooth Low-Profile Surface	Smooth surface finish offers exceptional patient comfort
Tie Wings	Ample undercuts allow for optional ligation with chains and ties
Ink Mark	Easy bracket identification
Contoured Base	Anatomical tooth fitment and greater tooth control



Roth Prescription - Maxillary Brackets

Tooth	Torque	Angulation	Offset	Hook	R/L	.018	.022
Central	12°	5°	0°		R		Q12400
	12°	5°	0°		L		Q12401
Lateral	8°	9°	0°		R		Q12402
	8°	9°	0°		L		Q12403
Cuspid	0°	11°	4° MO	Distal	R		Q12406
	0°	11°	4° MO	Distal	L		Q12407
1st/2nd Bicuspid	-7°	0°	0°	Distal	R		Q12410
	-7°	0°	0°	Distal	L		Q12411



Roth Prescription - Mandibular Brackets

Tooth	Torque	Angulation	Offset	Hook	R/L	.018	.022
Central/ Lateral	0°	0°	0°		R/L		Q12420
Cuspid	-11°	5°	2° MO	Distal	R		Q12426
	-11°	5°	2° MO	Distal	L		Q12427
1st	-17°	0°	0°	Distal	R		M12430*
Bicuspid	-17°	0°	0°	Distal	L		M12431*
2nd	-22°	0°	0°	Distal	R		M12434*
Bicuspid	-22°	0°	0°	Distal	L		M12435*

*Alpine SL® metal Brackets

Alpine SL Clear Roth Prescription - Kits

Description

Alpine Self Ligating Clear Roth 022 - Kit 5-5 With Hook 3/4/5

.022

ECKQ12402

MBT Prescription - Maxillary Brackets

Tooth	Torque	Angulation	Offset	Hook	R/L	.018	.022
Central	17°	4°	0°		R		Q12100
	17°	4°	0°		L		Q12101
Lateral	10°	8°	0°		R		Q12102
	10°	8°	0°		L		Q12103
Cuspid	-7°	8°	0°	Distal	R		Q12106
	-7°	8°	0°	Distal	L		Q12107
1st/2nd	-7°	0°	0°	Distal	R		Q12110
Bicuspid	-7°	0°	0°	Distal	L		Q12111



MBT Prescription - Mandibular Brackets

Tooth	Torque	Angulation	Offset	Hook	R/L	.018	.022
Central/ Lateral	-6°	0°	0°		R/L		Q12120
Cuspid	-6°	3°	0°	Distal	R		Q12126
	-6°	3°	0°	Distal	L		Q12127
1st	-12°	2°	0°	Distal	R		M12130*
Bicuspid	-12°	2°	0°	Distal	L		M12131*
2nd	-17°	2°	0°	Distal	R		M12134*
Bicuspid	-17°	2°	0°	Distal	L		M12135*

*Alpine SL® metal Brackets



Alpine SL Clear MBT Prescription - Kits

Description	.022
Alpine Self Ligating Clear Mbt 022 - Kit 5-5 With Hook 3/4/5	ECKQ12102

FLI® Clear Brackets

FLI® Signature Clear Brackets offer natural aesthetic appeal to patients with the same reliable functionality preferred by doctors.

Ligation: Tie wings incorporate undercuts and downdraft for easy and secure ligation

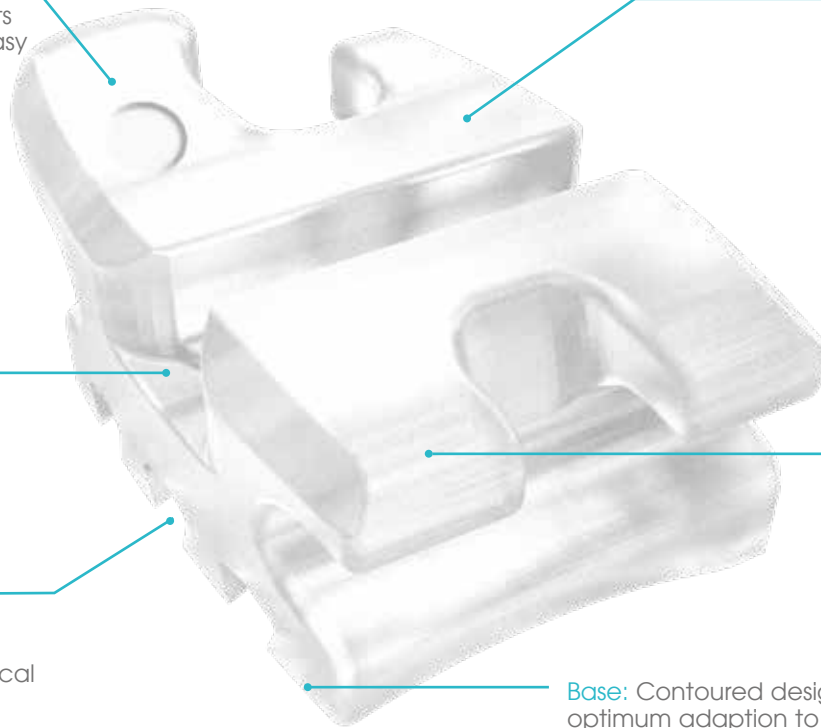
Finish: Fully transparent for unmatched aesthetics

Reduced Friction: Smooth rounded flared archslot lead-ins for reduced friction

Finish: Smooth rounded surface for exceptional patient comfort

Base: Patented mushroom style base rails deliver superior mechanical bonding

Base: Contoured design provides optimum adaption to tooth surfaces



MATERIAL: Polycrystalline Clear Ceramic – 99.9% Pure Alumina Oxide

PRESCRIPTIONS: Roth, MBT, & Bioprogressive

SLOT SIZE: .018 & .022

FEATURES

Tie wings with deep undercuts and downdraft

Fully transparent

Smooth, polished surfaces

Low-profile with rounded contours

Smooth, flared archslot

Patented mushroom style base

Contoured base design

Polycrystalline Ceramic

BENEFITS

Easy, more secure ligation

Unmatched aesthetics and true natural appearance

No cloudy appearance as compared to traditional ceramics

Exceptional patient comfort

Improved sliding mechanics – less binding

Less friction than traditional ceramics

Superior bond performance and strength

Consistent debonding – greater confidence without sacrificing strength

Optimum adaptation to tooth surfaces

Unmatched clarity and improved fracture strength

Roth Prescription - Maxillary Brackets

Tooth	Torque	Angulation	Offset	Hook	R/L	.018	.022
Central	12°	5°	0°		R	Q07200	Q07300
	12°	5°	0°		L	Q07201	Q07301
Lateral	8°	9°	0°		R	Q07202	Q07302
	8°	9°	0°		L	Q07203	Q07303
Cuspid	0°	11°	4° MO		R	Q07204	Q07304
	0°	11°	4° MO		L	Q07205	Q07305
	0°	11°	4° MO	Distal	R	Q07206	Q07306
	2°	11°	4° MO	Distal	L	Q07207	Q07307
1st/2nd	-7°	0°	0°		R/L	Q07208	Q07308
Bicuspid	-7°	0°	0°	Center	R/L	Q07210	Q07310



Roth Prescription - Mandibular Brackets

Tooth	Torque	Angulation	Offset	Hook	R/L	.018	.022
Central/ Lateral	0°	0°	0°		R/L	Q07220	Q07320
Cuspid	-11°	5°	2° MO		R	Q07224	Q07324
	-11°	5°	2° MO		L	Q07225	Q07325
	-11°	5°	2° MO	Distal	R	Q07226	Q07326
	-11°	5°	2° MO	Distal	L	Q07227	Q07327
1st	-17°	0°	0°		R/L	Q07228	Q07328
Bicuspid	-17°	0°	0°	Center	R/L	Q07230	Q07330
2nd	-22°	0°	0°		R/L	Q07232	Q07332
Bicuspid	-22°	0°	0°	Center	R/L	Q07234	Q07334



Roth Prescription - Kits

Description	.018	.022
Roth FLI® Clear without hook, 5-5 U/L	KQ07200	KQ07300
Roth FLI® Clear hook on cuspid, 5-5 U/L	KQ07201	KQ07301
Roth FLI® Clear hook on cuspid/bicuspid, 5-5 U/L	KQ07202	KQ07302
Roth FLI® Clear hook on cuspid, 3-3 U	KQ07203	KQ07303
Roth FLI® Clear without hook, 3-3 U/L	KQ07204	
Roth FLI® Clear hook on cuspid, 3-3 U/L	KQ07205	



MBT Prescription - Maxillary Brackets

Tooth	Torque	Angulation	Offset	Hook	R/L	.018	.022
Central	17°	4°	0°		R	Q07400	Q07500
	17°	4°	0°		L	Q07401	Q07501
Lateral	10°	8°	0°		R	Q07402	Q07502
	10°	8°	0°		L	Q07403	Q07503
Cuspid	-7°	8°	0°		R	Q07414	Q07514
	-7°	8°	0°		L	Q07415	Q07515
	-7°	8°	0°	Distal	R	Q07416	Q07516
	-7°	8°	0°	Distal	L	Q07417	Q07517
Extraction case	0°	8°	0°		R	Q07404	Q07504
	0°	8°	0°		L	Q07405	Q07505
	0°	8°	0°	Distal	R	Q07406	Q07506
	0°	8°	0°	Distal	L	Q07407	Q07507
1st/2nd	-7°	0°	0°		R/L	Q07408	Q07508
Bicuspid	-7°	0°	0°	Center	R/L	Q07410	Q07510



MBT Prescription - Mandibular Brackets

Tooth	Torque	Angulation	Offset	Hook	R/L	.018	.022
Central/ Lateral	-6°	0°	0°		R/L	Q07422	Q07522
Cuspid	-6°	3°	0°		R	Q07436	Q07536
	-6°	3°	0°		L	Q07437	Q07537
	-6°	3°	0°	Distal	R	Q07438	Q07538
	-6°	3°	0°	Distal	L	Q07439	Q07539
Extraction case	0°	3°	0°		R	Q07424	Q07524
	0°	3°	0°		L	Q07425	Q07525
	0°	3°	0°	Distal	R	Q07426	Q07526
	0°	3°	0°	Distal	L	Q07427	Q07527
1st	-12°	0°	0°		R/L	Q07428	Q07528
Bicuspid	-12°	0°	0°	Center	R/L	Q07430	Q07530
2nd	-17°	0°	0°		R/L	Q07432	Q07532
Bicuspid	-17°	0°	0°	Center	R/L	Q07434	Q07534

MBT Prescription - Kits

Description	.018	.022
MBT FLI® Clear without hook, 5-5 U/L		
MBT FLI® Clear hook cuspid, 5-5 U/L	KQ07401	KQ07501
MBT FLI® Clear hook cuspid/bicuspid, 5-5 U/L	KQ07402	KQ07502
MBT FLI® Clear hook cuspid, 3-3 U	KQ07403	KQ07503
MBT FLI® Clear without hook, 3-3 U/L		
MBT FLI® Clear hook cuspid, 3-3 U/L		KQ07505

Ricketts® Original Bioprogressive® Prescription - Maxillary Brackets

Tooth	Torque	Angulation	Offset	Hook	R/L	.018
Central	22°	0°	0°		R/L	Q07600
Lateral	14°	8°	0°		R	Q07602
	14°	8°	0°		L	Q07603
Cuspid	7°	5°	0°		R	Q07604
	7°	5°	0°		L	Q07605
	7°	5°	0°	Distal	R	Q07606
	7°	5°	0°	Distal	L	Q07607
1st/2nd Bicuspid	0°	0°	0°	Center	R/L	Q07610



Ricketts® Original Bioprogressive® Prescription - Mandibular Brackets

Tooth	Torque	Angulation	Offset	Hook	R/L	.018
Central/ Lateral	0°	0°	0°		R/L	Q07620
Cuspid	7°	5°	0°		R	Q07624
	7°	5°	0°		L	Q07625
	7°	5°	0°	Distal	R	Q07626
	7°	5°	0°	Distal	L	Q07627
1st/2nd Bicuspid	0°	0°	0°	Center	R/L	Q07610

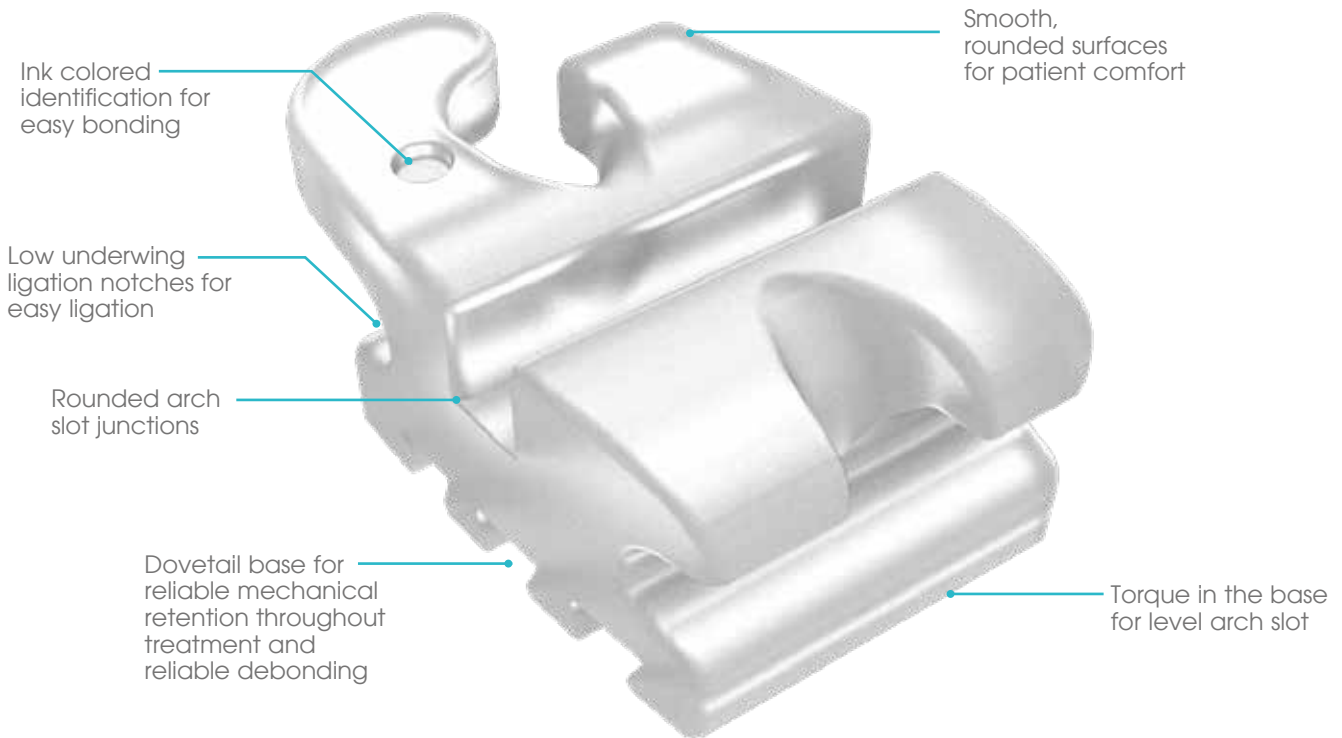


Ricketts® Original Bioprogressive® Prescription - Kits

Description	.018
Ricketts® Bioprogressive® FLI® Clear hook on cuspid/bicuspid, 5-5 U/L	KQ07602
Ricketts® Bioprogressive® FLI® Clear hook on cuspid, 3-3 U	KQ07603

Signature III Brackets

The Signature III bracket line is an aesthetic ceramic twin bracket which combines a dovetail base for reliable bonding with unique rounded features at the slot wall junctions for decreased internal bracket stresses and increased strength. This combination eliminates the common causes of failure among most ceramic brackets on the market today.



MATERIAL: Extruded Polycrystalline Alumina (ceramic)

PRESCRIPTIONS: Roth, MBT, Ricketts Bioprogressive, RMO Bioprogressive, & Standard Edgewise

SLOT SIZE: .018 & .022

FEATURES

Rounded junctions in arch slot

Dovetail base design

Smooth, rounded surfaces

Torque-in-base

Color quadrant marking

BENEFITS

Eliminates stress points on slot; designed for strength with ceramic aesthetics

Reliable mechanical bond

Consistent retention

Simplified debonding

Patient comfort

Provides optimal slot alignment and reduces both guesswork and chair time

Quick and accurate identification

Roth Prescription - Maxillary Brackets

Tooth	Torque	Angulation	Offset	Hook	R/L	.018	.022
Central	12°	5°	0°		R	Q03010	Q03030
	12°	5°	0°		L	Q03011	Q03031
Lateral	8°	9°	0°		R	Q03012	Q03032
	8°	9°	0°		L	Q03013	Q03033
Cuspid	0°	11°	4° MO		R	Q03018	Q03038
	0°	11°	4° MO		L	Q03017	Q03037
	0°	11°	4° MO	Distal	R	Q03014	Q03034
	0°	11°	4° MO	Distal	L	Q03015	Q03035
1st/2nd	-7°	0°	0°		R/L	Q03019	Q03039
Bicuspid	-7°	0°	0°	Center	R/L	Q03016	Q03036



Roth Prescription - Mandibular Brackets

Tooth	Torque	Angulation	Offset	Hook	R/L	.018	.022
Central/ Lateral	0°	0°	0°		R/L	Q03029	Q03049
Cuspid	-11°	5°	2° MO		R	Q03025	Q03045
	-11°	5°	2° MO		L	Q03026	Q03046
	-11°	5°	2° MO	Distal	R	Q03021	Q03041
	-11°	5°	2° MO	Distal	L	Q03022	Q03042
1st	-17°	0°	0°		R/L	Q03027	Q03047
Bicuspid	-17°	0°	0°	Center	R/L	Q03023	Q03043
2nd	-22°	0°	0°		R/L	Q03028	Q03048
Bicuspid	-22°	0°	0°	Center	R/L	Q03024	Q03044



Roth Prescription - Kits

Description	.018	.022
Roth Signature III hook on cuspid, 3-3 U	KQ03013	KQ03033
Roth Signature III without hook, 3-3 U/L	KQ03020	KQ03040
Roth Signature III hook on cuspid, 3-3 U/L	KQ03022	KQ03042
Roth Signature III without hook, 5-5 U/L	KQ03024	KQ03044
Roth Signature III hook on cuspid, 5-5 U/L	KQ03025	KQ03045
Roth Signature III hook on cuspid/bicuspid, 5-5 U/L	KQ03026	KQ03046



MBT Prescription - Maxillary Brackets

Tooth	Torque	Angulation	Offset	Hook	R/L	.018	.022
Central	17°	4°	0°		R	Q03200	Q03300
	17°	4°	0°		L	Q03201	Q03301
Lateral	10°	8°	0°		R	Q03202	Q03302
	10°	8°	0°		L	Q03203	Q03303
Cuspid	-7°	8°	0°	Distal	R	Q03216	Q03316
	-7°	8°	0°	Distal	L	Q03217	Q03317
Extraction cases	0°	8°	0°	Distal	R	Q03206	Q03306
	0°	8°	0°	Distal	L	Q03207	Q03307
1st/2nd Bicuspid	-7°	0°	0°	Center	R/L	Q03210	Q03310



MBT Prescription - Mandibular Brackets

Tooth	Torque	Angulation	Offset	Hook	R/L	.018	.022
Central/ Lateral	-6°	0°	0°		R/L	Q03220	Q03320
Cuspid	-6°	3°	0°	Distal	R	Q03236	Q03336
	-6°	3°	0°	Distal	L	Q03237	Q03337
Extraction cases	0°	3°	0°	Distal	R	Q03226	Q03326
	0°	3°	0°	Distal	L	Q03227	Q03327
1st	-12°	2°	0°	Center	R	Q03230	Q03330
Bicuspid	-12°	2°	0°	Center	L	Q03231	Q03331
2nd	-17°	2°	0°	Center	R	Q03234	Q03334
Bicuspid	-17°	2°	0°	Center	L	Q03235	Q03335

MBT Prescription - Kits

Description	.018	.022
MBT Signature III -6°T cuspid, hook on cuspid/bicuspid, 5-5	KQ03202	KQ03302
Extraction Case	.018	.022
MBT Signature III 0°T cuspid, hook on cuspid/bicuspid, 5-5		KQ03305

Ricketts® Original Bioprogressive® Prescription - Maxillary Brackets

Tooth	Torque	Angulation	Offset	Hook	R/L	.018
Central	22°	0°	0°		R/L	Q08000
Lateral	14°	9°	0°		R	Q08002
	14°	9°	0°		L	Q08003
Cuspid	7°	5°	0°		R	Q08004
	7°	5°	0°		L	Q08005
	7°	5°	0°	Distal	R	Q08006
	7°	5°	0°	Distal	L	Q08007
1st/2nd Bicuspid	0°	0°	0°	Center	R/L	Q08020



Ricketts® Original Bioprogressive® Prescription - Mandibular Brackets

Tooth	Torque	Angulation	Offset	Hook	R/L	.018
Central/ Lateral	0°	0°	0°		R/L	Q08022
Cuspid	7°	5°	0°		R	Q08012
	7°	5°	0°		L	Q08013
	7°	5°	0°	Distal	R	Q08014
	7°	5°	0°	Distal	L	Q08015
1st/2nd Bicuspid	0°	0°	0°	Center	R/L	Q08020



Ricketts® Original Bioprogressive® Prescription - Kits

Description	.018
Ricketts® Original Bioprogressive® Signature III, hook on cuspid, 3-3 U/L	KQ08002
Ricketts® Original Bioprogressive® Signature III, hook on cuspid/bicuspid, 5-5 U/L	KQ08003



RMO® Biopressive® Prescription - Maxillary Brackets

Tooth	Torque	Angulation	Offset	Hook	R/L	.018
Central	22°	0°	0°		R/L	Q08100
Lateral	14°	9°	0°		R	Q08102
	14°	9°	0°		L	Q08103
Cuspid	7°	5°	0°		R	Q08104
	7°	5°	0°		L	Q08105
	7°	5°	0°	Distal	R	Q08106
	7°	5°	0°	Distal	L	Q08107
1st/2nd Bicuspid	-7°	0°	0°	Center	R/L	Q08108



RMO® Biopressive® Prescription - Mandibular Brackets

Tooth	Torque	Angulation	Offset	Hook	R/L	.018
Central/ Lateral	0°	0°	0°		R/L	Q08120
Cuspid	7°	5°	0°		R	Q08112
	7°	5°	0°		L	Q08113
	7°	5°	0°	Distal	R	Q08114
	7°	5°	0°	Distal	L	Q08115
1st Bicuspid	-17°	0°	0°	Center	R/L	Q08116
2nd Bicuspid	-22°	0°	0°	Center	R/L	Q08118

RMO® Biopressive® Prescription - Kits

Description

RMO® Biopressive® Signature III hook on cuspid/bicuspid, 5-5 U/L

.018

KQ08103

Standard Edgewise Prescription - Maxillary Brackets

Tooth	Torque	Angulation	Offset	Hook	R/L	.018	.022
Central	0°	0°	0°		R/L	Q09000	Q09020
Lateral	0°	0°	0°		R/L	Q09002	Q09022
Cuspid	0°	0°	0°		R/L	Q09004	Q09024
1st/2nd	0°	0°	0°		R/L	Q09006	Q09026
Bicuspid							



Standard Edgewise Prescription - Mandibular Brackets

Tooth	Torque	Angulation	Offset	Hook	R/L	.018	.022
Central/ Lateral	0°	0°	0°		R/L	Q09008	Q09028
Cuspid	0°	0°	0°		R/L	Q09004	Q09024
1st/2nd	0°	0°	0°		R/L	Q09006	Q09026
Bicuspid							

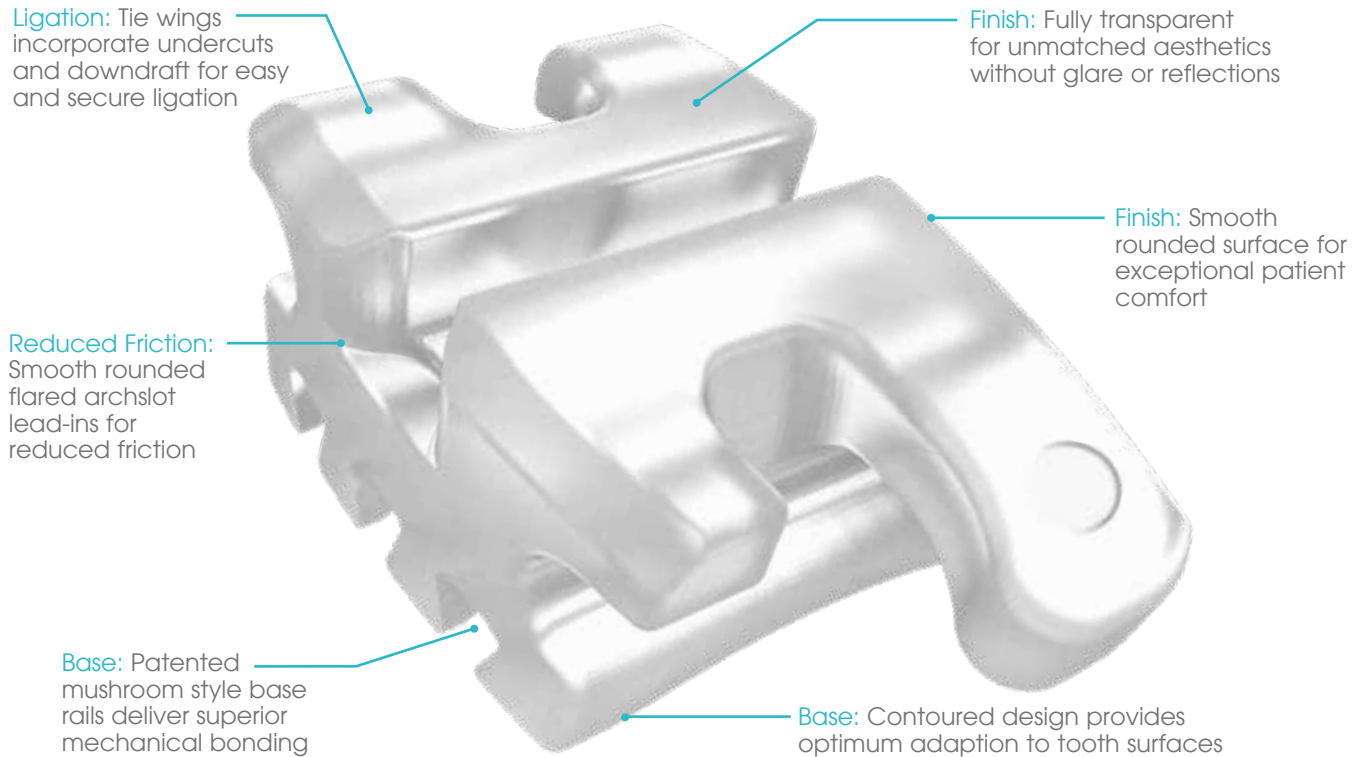


Standard Edgewise Prescription - Kits

Description	.018	.022
Standard Edgewise Signature III 3-3 U		
Standard Edgewise Signature III 3-3 U/L		KQ09060
Standard Edgewise Signature III 5-5 U/L	KQ09042	KQ09062

FLI® Composite Brackets

FLI® Composite Brackets offer an economical aesthetic twin option in a high-strength one-piece polyurethane.



MATERIAL: Medical Grade Polyurethane Composite

PRESCRIPTIONS: Roth, Standard Edgewise, Bioprogressive

SLOT SIZE: .018 & .022

FEATURES

Tie wings with deep undercuts and downdraft

Fully transparent

High strength polyurethane

Smooth, polished surfaces

Low profile with rounded contours

Smooth, flared archslot

Patented mushroom-style base

Contoured base design

Micro-etched base

BENEFITS

Easy, more secure ligation

Unmatched aesthetics and true natural appearance

Improved ductility and fracture resistance under tensile stresses

No cloudy appearance as compared to traditional ceramics

Exceptional patient comfort

Improved sliding mechanics - less binding

Reduced friction over traditional ceramics

Superior bond performance and strength

Consistent debonding - greater confidence without sacrificing strength

Optimum adaptation to tooth surfaces

Added bond strength from surface undercuts to grip adhesive

No plastic primers needed for bonding

Roth Prescription - Maxillary Brackets

Tooth	Torque	Angulation	Offset	Hook	R/L	.018	.022
Central	12°	5°	0°		R	ECQ1050	ECQ1150
	12°	5°	0°		L	ECQ1051	ECQ1151
Lateral	8°	9°	0°		R	ECQ1052	ECQ1152
	8°	9°	0°		L	ECQ1053	ECQ1153
Cuspid	0°	11°	4° MO		R	ECQ1054	ECQ1154
	0°	11°	4° MO		L	ECQ1055	ECQ1155
	0°	11°	4° MO	Distal	R	ECQ1056	ECQ1156
	0°	11°	4° MO	Distal	L	ECQ1057	ECQ1157
1st/2nd	-7°	0°	0°		R/L	ECQ1058	ECQ1158
Bicuspid	-7°	0°	0°	Center	R/L	ECQ1060	ECQ1160



Roth Prescription - Mandibular Brackets

Tooth	Torque	Angulation	Offset	Hook	R/L	.018	.022
Central/ Lateral	0°	0°	0°		R/L	ECQ1070	ECQ1170
Cuspid	-11°	5°	2° MO		R	ECQ1074	ECQ1174
	-11°	5°	2° MO		L	ECQ1075	ECQ1175
	-11°	5°	2° MO	Distal	R	ECQ1076	ECQ1176
	-11°	5°	2° MO	Distal	L	ECQ1077	ECQ1177
1st Bicuspid	-17°	0°	0°		R/L	ECQ1078	ECQ1178
	-17°	0°	0°	Center	R/L	ECQ1080	ECQ1180
2nd Bicuspid	-22°	0°	0°		R/L	ECQ1082	ECQ1182
	-22°	0°	0°	Center	R/L	ECQ1084	ECQ1184



Roth Prescription - Kits

Description	.018	.022
Roth FLI® Composite without hook, 5-5 U/L	ECKQ0103	ECKQ0113
Roth FLI® Composite hook cuspid, 5-5 U/L	ECKQ0100	ECKQ0110
Roth FLI® Composite hook cuspid/bicuspid, 5-5 U/L	ECKQ0102	ECKQ0112
Roth FLI® Composite hook cuspid, 3-3 U/L	ECKQ0105	ECKQ0115
Roth FLI® Composite hook cuspid, 3-3 U		ECKQ0116



Standard Edgewise Prescription - Maxillary Brackets

Tooth	Torque	Angulation	Offset	Hook	R/L	.018	.022
Central	0°	0°	0°		R/L	ECQ1950	ECQ1960
Lateral	0°	0°	0°		R/L	ECQ1951	ECQ1961
Cuspid	0°	0°	0°		R/L	ECQ1952	ECQ1962
1st/2nd Bicuspid	0°	0°	0°		R/L	ECQ1953	ECQ1963



Standard Edgewise Prescription - Mandibular Brackets

Tooth	Torque	Angulation	Offset	Hook	R/L	.018	.022
Central/ Lateral	0°	0°	0°		R/L	ECQ1958	ECQ1968
Cuspid	0°	0°	0°		R/L	ECQ1952	ECQ1962
1st/2nd Bicuspid	0°	0°	0°		R/L	ECQ1953	ECQ1963

RMO® Bioprogressive® Prescription - Maxillary Brackets

Tooth	Torque	Angulation	Offset	Hook	R/L	.018
Central	0°	0°	0°		R/L	ECQ1250
Lateral	14°	8°	0°		R	ECQ1252
	14°	8°	0°		L	ECQ1253
Cuspid	7°	5°	0°	Yes	R	ECQ1256
	7°	5°	0°	Yes	L	ECQ1257
Bicuspid	-7°	0°	0°	Yes	R/L	ECQ1260



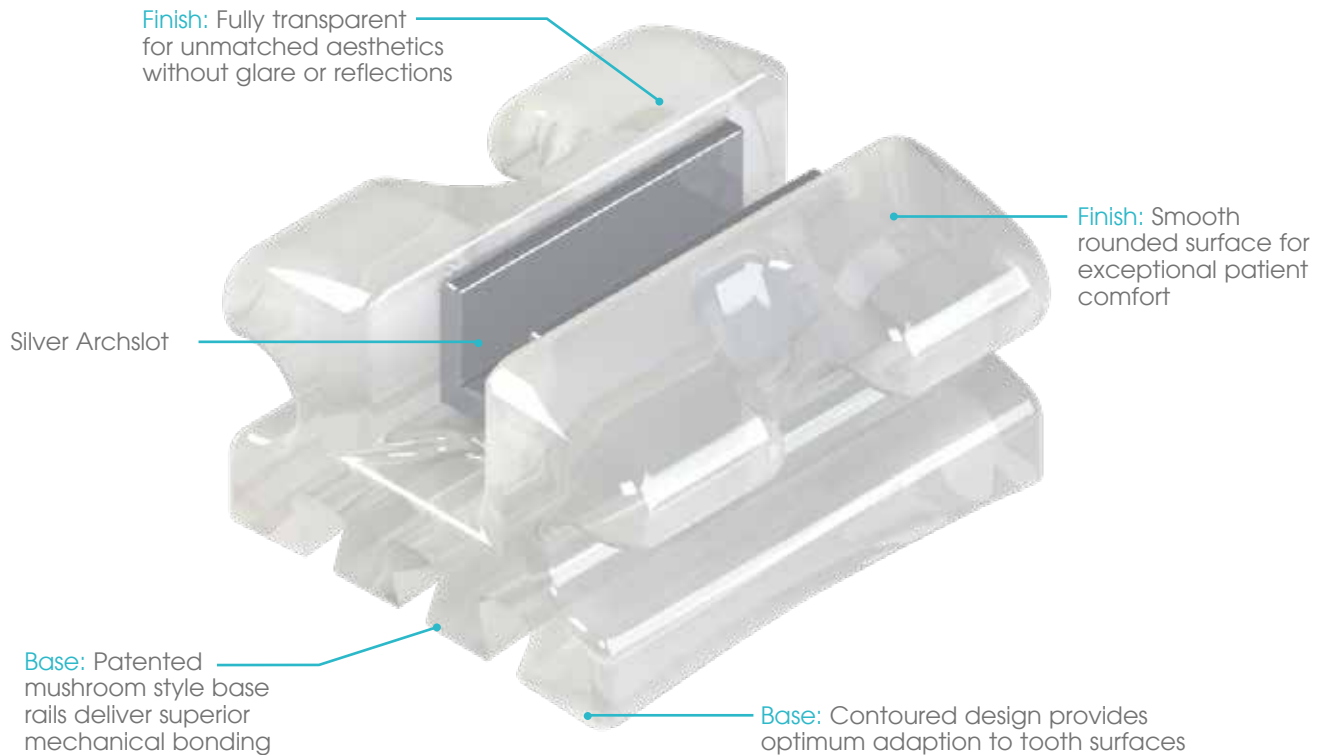
RMO® Bioprogressive® Prescription - Mandibular Brackets

Tooth	Torque	Angulation	Offset	Hook	R/L	.018
Central/ Lateral	0°	0°	0°		R/L	ECQ1270
Cuspid	7°	5°	0°	Yes	R	ECQ1276
	7°	5°	0°	Yes	L	ECQ1277
1st Bicuspid	-17°	0°	0°	Yes	R/L	ECQ1280
2nd Bicuspid	-22°	0°	0°	Yes	R/L	ECQ1284



FLI® Composite Silver & Ceramic Silver Brackets

New Composite and ceramic aesthetic brackets with silver archslots to replace brackets with yellow or white gold. These new silver archslots provide improved strength and torque control. They combine aesthetics and efficiency.



MATERIAL: Medical Grade Polyurethane Composite or Ceramic

PRESCRIPTIONS: Roth, Bioprogressive

SLOT SIZE: .018 & .022

FEATURES

Tie wings with deep undercuts and downdraft

Fully transparent

High strength polyurethane

Smooth, polished surfaces

Low profile with rounded contours

Smooth, flared archslot

Patented mushroom-style base

Contoured base design

Micro-etched base

BENEFITS

Easy, more secure ligation

Unmatched aesthetics and true natural appearance

Improved ductility and fracture resistance under tensile stresses

No cloudy appearance as compared to traditional ceramics

Exceptional patient comfort

Improved sliding mechanics – less binding

Reduced friction over traditional ceramics

Superior bond performance and strength

Consistent debonding – greater confidence without sacrificing strength

Optimum adaptation to tooth surfaces

Added bond strength from surface undercuts to grip adhesive

No plastic primers needed for bonding

Roth Prescription - Maxillary Brackets

Tooth	Torque	Angulation	Offset	Hook	R/L	.018	.022
Central	12°	5°	0°		R	ECQ4000	ECQ4100
	12°	5°	0°		L	ECQ4001	ECQ4101
Lateral	8°	9°	0°		R	ECQ4002	ECQ4102
	8°	9°	0°		L	ECQ4003	ECQ4103
Cuspid	0°	11°	4° MO		R	ECQ4014	ECQ4114
	0°	11°	4° MO		L	ECQ4015	ECQ4115
	0°	11°	4° MO	Distal	R	ECQ4016	ECQ4116
	0°	11°	4° MO	Distal	L	ECQ4017	ECQ4117
1st/2nd	-7°	0°	0°		R/L	ECQ4008	ECQ4108
Bicuspid	-7°	0°	0°	Center	R/L	ECQ4010	ECQ4110



Roth Prescription - Mandibular Brackets

Tooth	Torque	Angulation	Offset	Hook	R/L	.018	.022
Central/ Lateral	0°	0°	0°		R/L	ECQ4020	ECQ4120
Cuspid	-11°	5°	2° MO		R	ECQ4024	ECQ4124
	-11°	5°	2° MO		L	ECQ4025	ECQ4125
	-11°	5°	2° MO	Distal	R	ECQ4026	ECQ4126
	-11°	5°	2° MO	Distal	L	ECQ4027	ECQ4127
1st Bicuspid	-17°	0°	0°		R/L	ECQ4028	ECQ4128
	-17°	0°	0°	Center	R/L	ECQ4030	ECQ4130
2nd Bicuspid	-22°	0°	0°		R/L	ECQ4032	ECQ4132
	-22°	0°	0°	Center	R/L	ECQ4034	ECQ4134



Roth Prescription - Kits

Description	.018	.022
Kit Composite 5-5 without hook	ECKQ4000	ECKQ4100
Kit Composite 5-5 with hook on 3	ECKQ4001	ECKQ4101
Kit Composite 5-5 with hook on 3-4-5	ECKQ4002	ECKQ4102
Kit Composite 3-3 upper with hook 3	ECKQ4003	ECKQ4103
Kit Composite 3-3 without hook	ECKQ4004	ECKQ4104
Kit Composite 3-3 with hook on 3	ECKQ4005	ECKQ4105



RMO® Bioprogressive® Prescription - Maxillary Brackets

Tooth	Torque	Angulation	Offset	Hook	R/L	.018	.022
Central	22°	0°	0°		R/L	ECQ4200	ECQ4300
Lateral	14°	9°	0°		R	ECQ4202	ECQ4302
	14°	9°	0°		L	ECQ4203	ECQ4303
Cuspid	7°	5°	0°		R	ECQ4204	ECQ4304
	7°	5°	0°		L	ECQ4205	ECQ4305
	7°	5°	0°	Distal	R	ECQ4206	ECQ4306
	7°	5°	0°	Distal	L	ECQ4207	ECQ4307
1st/2nd	-7°	0°	0°		R/L	ECQ4208	ECQ4308
Bicuspid	-7°	0°	0°	Yes	R/L	ECQ4210	ECQ4310

RMO® Bioprogressive® Prescription - Mandibular Brackets



Tooth	Torque	Angulation	Offset	Hook	R/L	.018	.022
Central/ Lateram	0°	0°	0°		R/L	ECQ4220	ECQ4320
Cuspid	7°	5°	0°		R	ECQ4224	ECQ4324
	7°	5°	0°		L	ECQ4225	ECQ4325
	7°	5°	0°	Distal	R	ECQ4226	ECQ4326
	7°	5°	0°	Distal	L	ECQ4227	ECQ4327
1st Bicuspid	0°	0°	0°		R/L	ECQ4228	ECQ4328
	0°	0°	0°	Yes	R/L	ECQ4230	ECQ4330
2nd Bicuspid	0°	0°	0°		R/L	ECQ4232	ECQ4332
	0°	0°	0°	Yes	R/L	ECQ4234	ECQ4334

RMO® Bioprogressive® Prescription - Kits

Description	.018	.022
Kit Silver Composite 5-5 without hook	ECKQ4200	ECKQ4300
Kit Silver Composite 5-5 with hook on 3	ECKQ4201	ECKQ4301
Kit Silver Composite 5-5 with hook on 3-4-5	ECKQ4202	ECKQ4302
Kit Silver Composite 3-3 upper with hook 3	ECKQ4203	ECKQ4303
Kit Silver Composite 3-3 without hook	ECKQ4204	ECKQ4304
Kit Silver Composite 3-3 with hook on 3	ECKQ4205	ECKQ4305

Roth Prescription - Maxillary Brackets

Tooth	Torque	Angulation	Offset	Hook	R/L	.018	.022
Central	12°	5°	0°		R	ECQ7200	ECQ7300
	12°	5°	0°		L	ECQ7201	ECQ7301
Lateral	8°	9°	0°		R	ECQ7202	ECQ7302
	8°	9°	0°		L	ECQ7203	ECQ7303
Cuspid	0°	11°	4° MO		R	ECQ7204	ECQ7304
	0°	11°	4° MO		L	ECQ7205	ECQ7305
	0°	11°	4° MO	Distal	R	ECQ7206	ECQ7306
	0°	11°	4° MO	Distal	L	ECQ7207	ECQ7307
1st/2nd	-7°	0°	0°		R/L	ECQ7208	ECQ7308
Bicuspid	-7°	0°	0°	Center	R/L	ECQ7210	ECQ7310



Roth Prescription - Mandibular Brackets

Tooth	Torque	Angulation	Offset	Hook	R/L	.018	.022
Central/ Lateral	0°	0°	0°		R/L	ECQ7220	ECQ7320
Cuspid	-11°	5°	2° MO		R	ECQ7224	ECQ7324
	-11°	5°	2° MO		L	ECQ7225	ECQ7325
	-11°	5°	2° MO	Distal	R	ECQ7226	ECQ7326
	-11°	5°	2° MO	Distal	L	ECQ7227	ECQ7327
1st Bicuspid	-17°	0°	0°		R/L	ECQ7228	ECQ7328
	-17°	0°	0°	Center	R/L	ECQ7230	ECQ7330
2nd Bicuspid	-22°	0°	0°		R/L	ECQ7232	ECQ7332
	-22°	0°	0°	Center	R/L	ECQ7234	ECQ7334



Roth Prescription - Kits

Description	.018	.022
Kit Silver Composite 5-5 without hook	ECKQ7200	ECKQ7300
Kit Silver Composite 5-5 with hook on 3	ECKQ7201	ECKQ7301
Kit Silver Composite 5-5 with hook on 3-4-5	ECKQ7202	ECKQ7302
Kit Silver Composite 3-3 upper with hook 3	ECKQ7203	ECKQ7303
Kit Silver Composite 3-3 without hook	ECKQ7204	ECKQ7304
Kit Silver Composite 3-3 with hook on 3	ECKQ7205	ECKQ7305

Esthetys Classic Brackets

The esthetys classic series offers the strength and esthetic features of ceramic in a quality polyurethane bracket.



Esthetys brackets are manufactured using the most advanced processes and the highest quality material to ensure maximum strength while providing a smooth friction-reduced finish resistant to discoloration. Traditional composites brackets are manufactured with polycarbonate and include a ceramic powder to further strengthen the material. The disadvantage of this material is that it is very brittle and it is necessary to add a metal insert to make the assembly rigid.

Esthetys polyurethane brackets do not require this additional process and offer the highest level of strength while keeping an exceptional esthetic aspect.

- Incorporated angulation, torque and offsets
- Ease of ligation
- Anatomically contoured base for ease of placement
- A large choice of techniques (Edgewise .018 and .022, Roth .018 and .022 - Bioprogressive .018)
- Integrated hooks

Roth Prescription - Maxillary Brackets

Tooth	Torque	Angulation	Offset	Hook	R/L	.018	.022
Central	12°	5°	0°		R	ECQ1000	ECQ1100
	12°	5°	0°		L	ECQ1001	ECQ1101
Lateral	8°	9°	0°		R	ECQ1002	ECQ1102
	8°	9°	0°		L	ECQ1003	ECQ1103
Cuspid	0°	11°	4° OM		R	ECQ1004	ECQ1104
	0°	11°	4° OM		L	ECQ1005	ECQ1105
	0°	11°	4° OM	Distal	R	ECQ1006	ECQ1106
	0°	11°	4° OM	Distal	L	ECQ1007	ECQ1107
Bicuspid	-7°	0°	-2°OD		R	ECQ1008	ECQ1108
	-7°	0°	-2°OD		L	ECQ1009	ECQ1109
	-7°	0°	-2°OD	Center	R	ECQ1010	ECQ1110
	-7°	0°	-2°OD	Centre	L	ECQ1011	ECQ1111

Roth Prescription - Mandibular Brackets

Tooth	Torque	Angulation	Offset	Hook	R/L	.018	.022
Central/ Lateral	0°	0°	0°		R/L	ECQ1020	ECQ1120
Cuspid	-11°	5°	2° OM		R	ECQ1024	ECQ1124
	-11°	5°	2° OM		L	ECQ1025	ECQ1125
	-11°	5°	2° OM	Distal	R	ECQ1026	ECQ1126
	-11°	5°	2° OM	Distal	L	ECQ1027	ECQ1127
1st Bicuspid	-17°	0°	0°		R/L	ECQ1028	ECQ1128
	-17°	0°	0°	Center	R/L	ECQ1030	ECQ1130
2nd Bicuspid	-22°	0°	0°		R/L	ECQ1032	ECQ1132
	-22°	0°	0°	Center	R/L	ECQ1034	ECQ1134

Roth Prescription - Kits

Description	.018	.022
Kit Roth 5-5 without Hook	ECQ0101	ECQ0113
Kit Roth 5-5 with Hook on 3	ECQ0100	ECQ0110
Kit Roth 5-5 with Hook on 3-4-5	ECQ0102	ECQ0112

RMO® Bioprogressive® Prescription - Maxillary Brackets

Tooth	Torque	Angulation	Offset	Hook	R/L	.018
Central	5°	17°	0°		R	ECQ1200
	5°	17°	0°		L	ECQ1201
Optionnel	22°	0°	0°		R	ECQ1500
	22°	0°	0°		L	ECQ1501
Lateral	9°	8°	0°		R	ECQ1202
	9°	8°	0°		L	ECQ1203
Optionnel	14°	9°	0°		R	ECQ1502
	14°	9°	0°		G	ECQ1503
Cuspid	11°	0°	4°OM		R	ECQ1204
	11°	0°	4°OM		L	ECQ1205
	11°	0°	4°OM	Yes	R	ECQ1206
	11°	0°	4°OM	Yes	L	ECQ1207
Optionnel High Profile	7°	5°	4°OM		R	ECQ1504
	7°	5°	4°OM		L	ECQ1505
	7°	5°	4°OM	Yes	R	ECQ1506
	7°	5°	4°OM	Yes	L	ECQ1507
Bicuspids	0°	-7°	-2°OD		R	ECQ1208
	0°	-7°	-2°OD		L	ECQ1209
	0°	-7°	-2°OD	Yes	R	ECQ1210
	0°	-7°	-2°OD	Yes	L	ECQ1211
Optionnel High Profile	0°	0°	-2°OD		R	ECQ1903
	0°	0°	-2°OD		L	ECQ1903



RMO® Bioprogressive® Prescription - Mandibular Brackets

Tooth	Torque	Angulation	Offset	Hook	R/L	.018
Central/ Lateral	0°	0°	0°		R/L	ECQ1220
Cuspid	5°	-11°	2°OM		R	ECQ1224
	5°	-11°	2°OM		L	ECQ1225
	5°	-11°	2°OM	Yes	R	ECQ1226
	5°	-11°	2°OM	Yes	L	ECQ1227
Optionnel High Profile	7°	5°	2°OM		R	ECQ1524
	7°	5°	2°OM		L	ECQ1525
	7°	5°	2°OM	Yes	R	ECQ1526
	7°	5°	2°OM	Yes	L	ECQ1527
Prémolaire 4	0°	-17°	0°OD		R/L	ECQ1228
	0°	-17°	0°OD	Yes	R/L	ECQ1230
Optionnel	0°	0°	0°OD		R/L	ECQ1903
Prémolaire 5	0°	-22°	0°OD		R/L	ECQ1232
	0°	-22°	0°OD	Yes	R/L	ECQ1234
Optionnel	0°	0°	0°OD		R/L	ECQ1903



Bioprogressive® Prescription - Kits

Description	.018
Kit Bioprogressive® 5-5 with Hook on 3	ECQ0120
Kit Bioprogressive® 5-5 without Hook	ECQ0121
Kit Bioprogressive® 5-5 with Hook on 3-4-5	ECQ0122
Kit Bioprogressive® 5-5 without Hook and optional cuspids	ECQ0125
Kit Bioprogressive® 5-5 without Hook and optional cuspids/bicuspids	ECQ0150
Kit Bioprogressive® 5-5 with Hook and optional cuspids/bicuspids	ECQ0151



Standard Edgewise Prescription - Maxillary Brackets

Tooth	Torque	Angulation	Offset	Hook	R/L	.018	.022
Central	0°	0°	0°		R/L	ECQ1900	ECQ1910
Lateral	0°	0°	0°		R/L	ECQ1901	ECQ1911
Cuspid	0°	0°	0°		R/L	ECQ1902	ECQ1912
Bicuspids	0°	0°	0°		R/L	ECQ1903	ECQ1913



Standard Edgewise Prescription - Mandibular Brackets

Tooth	Torque	Angulation	Offset	Hook	R/L	.018	.022
Central/ Lateral	0°	0°	0°		R/L	ECQ1908	ECQ1918
Cuspid	0°	0°	0°		R/L	ECQ1902	ECQ1912
Bicuspids	0°	0°	0°		R/L	ECQ1903	ECQ1913

Standard Edgewise Prescription - Kits

Description	.018	.022
Kit Standard Edgewise 5-5 without Hook	ECQ0140	ECQ0131

Multiple Case Dispenser

- Multiple case dispenser; 2 through 100 set-ups
- Printed with Palmer notation for quick reference to individual brackets and tubes
- Designed to work with RMO® standard dispensing systems



J00774

Description	Package Contains	Order Number
Bracket Tray and Lid	1	J00774
Single Case Organizers	25	J00099



J00099

Band, brackets and Wilson Tray

Description	Package Contains	Order Number
Basic drawer	1	ECJ0750
Additional drawer	1	ECJ0751
Band tray (insert)	1	ECJ0752
Bracket tray (insert)	1	ECJ0753
Wilson tray (insert)	1	ECJ0754

